

CIRCUIT BREAKERS - AUTO BLADE TYPE (LOW PROFILE)

Bussmann
Thermal Type III

28VDC

Manual TIII Part Number	Ampere Rating	Body Colour
22705-00	5A	Tan
22706-00	6A	Green
22775-00	7.5A	Brown
22710-00	10A	Red
22715-00	15A	Blue
22720-00	20A	Yellow
22725-00	25A	White
22730-00	30A	Green

Features:

- Low profile design.
- Ignition Protected.
- Cover is colour coded to amperage ratings.
- Matches Auto fuse footprint of 5.2mm wide blades making it compatible with existing Auto fuse fuse blocks and panels.
- Manual reset button on top features protective walls.



IGN

I.R.: 2000A @ 28VDC

Voltage: 28VDC

Holders: Blocks

Reset Mechanism: Type III, Manual Reset.

Body: UL-Rated 94V-0 thermoplastic.

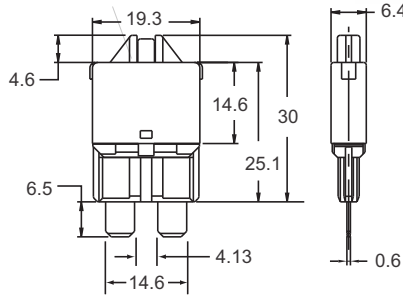
Terminals: Tin plated copper alloy.

Operating Temp: -40°C to 85 °C

Storage Temp: -40°C to 125°C

Pack Size: 1, 10, 100

Approvals: SAE J553, J1171.



Dimensions are in MM



Spare Pack (SP):

Contains 1pc of one rating.

CIRCUIT BREAKERS

CIRCUIT BREAKERS - AUTO BLADE TYPE

Morsettitalia
Thermal Type III & Switchable

Miniaturised single pole thermal circuit breaker with switching function (push-push actuation).

Reliable snap-acting and trip-free mechanism. Approved to CBE standard EN/IEC 60934.

Protection of loads in power distribution systems.

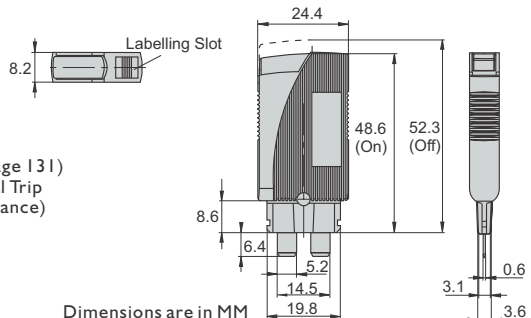
NEW

72VDC

Manual TIII Part Number	Ampere Rating
435T0025	250mA
435T0050	500mA
435T0100	1A
435T0200	2A
435T0300	3A
435T0400	4A
435T0600	6A
435T0800	8A
435T1000	10A

Features:

- Low amperages.
- Suitable for both AC and DC Voltage.
- Manual push on push off button.
- Labeling feature.



Dimensions are in MM

I.R.: 2000A @ rated voltage (UL)

Voltage: 250VAC / 65VDC (VDE)
250VAC / 72VDC (UL & CSA)

Holders: DIN rail mount fused terminal blocks (Page 131)

Reset Mechanism: Type III, Manual Reset / Manual Trip

Typical life: 6,000 operations at 1 x In (low-inductance)

3,000 operations at 1 x In (inductive)

500 operations at 2 x In (inductive)

Operating Temp: -20°C to 60 °C

Pack Size: Stock lines 1pc, Indent items 20pcs.

Approvals: UL, CE, A

PROLEC

Email: info@prolecproducts.com
Web: www.prolecproducts.com